



# T-5 Light Fixtures

for Spray Booths



- > 6-Tube or 4-Tube Fixtures
- > High Output, Energy Efficient
- > Color Corrected T-5 tubes
- > Inside Accessible

# Light Fixtures

## 6-Tube & 4-Tube Features



- High Output, Energy-Efficient T-5
- Environmentally responsible\*
- Programmed electronic ballast
- Dual voltage 120/277 volt
- Class 1, Division 2, Groups A,B,C,D
- Interlock safety switch
- Enclosed & gasketed
- Inside access
- Allows easy retrofits

\* when used with low mercury lamp

Part Numbers:

4-Tube Fixture: LABW-14T5-D12

6-Tube Fixture: LABW-16T5-D12

## Voltage Lighting Ballasts

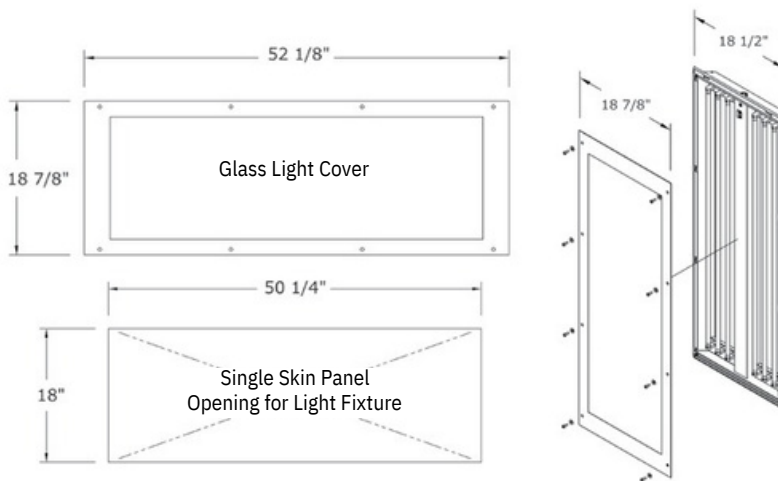
ICN4S5490C2LS	4-Tube	6-Tube
Volt:	120/277	120/277
Input Amps:	2.00/0.86	3.04/1.32
Frequency (Hz):	60	60
Watts:	4 X 54 = 216W Total	6 X 54 = 324W Total
Lamp Type:	T-5	T-5

## High Output Fluorescent Lamps

Philips Silhouette High Output T-5  
Fluorescent Lamps approximate  
lumens: 5000

Color Rendering Index: 85

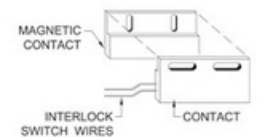
## Dimensions



## Interlocking Safety Switch



Interlocking  
Safety Switch  
available on both  
4-Tube & 6-Tube  
Light Fixtures



Consult your Global Finishing Solutions sales representative for details of required installation, concrete pit, electrical wiring, conduit, air piping, roof penetrations and automatic fire suppression. The equipment installation location should be reviewed and approved by the local authorities having jurisdiction. All designs, specifications and components are subject to change at the manufacturer's sole discretion at any time without notice. Data published herein is informational in nature and shall not be construed to warrant suitability of the unit for any particular purpose as performance may vary with the conditions encountered.



**DISTRIBUTED BY:**

Overspray Market • 855-962-7589 • [info@overspraymarket.com](mailto:info@overspraymarket.com)