



GLOBAL FINISHING SOLUTIONS

Light Fixtures

for Spray Booths

- > 6-Tube or 4-Tube Fixtures
- > Energy Efficient
- > Color Corrected T-8 Tubes
- > Inside Accessible



4-Tube
Fixture



6-Tube
Fixture



Light Fixtures

GFS light fixtures were designed with T-8 color corrected tubes for excellent color-matching and illumination while being cost effective. For an exceptional spraying environment, choose from our 6-tube or 4-tube wall or corner fixtures.

6-Tube & 4-Tube Features



6-Tube Fixture

- Energy-Efficient T-8, 32 watt electronic ballasts
- Dual voltage 120/277 volt, 50/60 Hz or Single voltage 347 volt, 60 Hz
- ETL & ETL-C Listed
- Class 1, Division 2, Groups A,B,C,D
- Interlock safety switch
- Enclosed & gasketed
- Twist-In lamp holders
- Inside access
- Allows easy retrofits
- Template for installation into existing panels
- Corner enclosure (optional)



Corner Fixture

Part Numbers:

6-Tube Fixture: LABW12-6 6-Tube Corner Fixture: LAC12-6
 4-Tube Fixture: LABW12-4 4-Tube Corner Fixture: LAC12-4

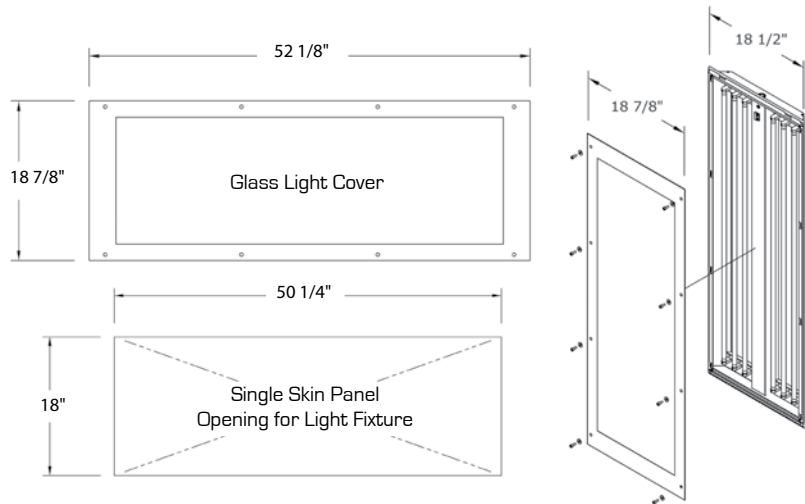
Dual Voltage Lighting Ballasts

6-Tube	4-Tube
ICN-3P32-SC-HAZ	ICN-4P32-SC-HAZ
120V/1.42A	120V/0.94A
277V/0.62A	277V/0.41A
50/60 Hz	50/60 Hz
6 x 32W = 192W Total	4 x 32W = 128W Total

Single Voltage Lighting Ballasts

6-Tube	4-Tube
347 volt	347 volt
GEL-3P32	GEL-4P32
2 x 3 Tube	4 Tube
0.52A	0.31A
60 Hz	60 Hz
6 x 32W = 192W Total	4 x 32W = 128W Total

Dimensions

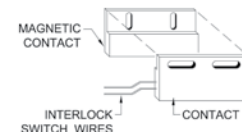


Consult your Global Finishing Solutions sales representative for details of required installation, concrete pit, electrical wiring, conduit, air piping, roof penetrations and automatic fire suppression. The equipment installation location should be reviewed and approved by the local authorities having jurisdiction. All designs, specifications and components are subject to change at the manufacturer's sole discretion at any time without notice. Data published herein is informational in nature and shall not be construed to warrant suitability of the unit for any particular purpose as performance may vary with the conditions encountered.

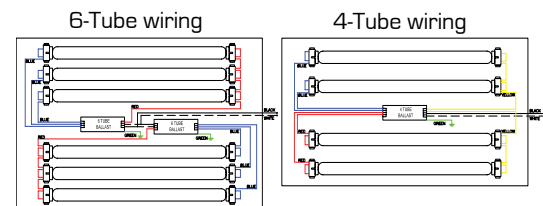
Interlocking Safety Switch



Interlocking Safety Switch available on both 4-Tube & 6-Tube Light Fixtures



Wiring



GLOBAL FINISHING SOLUTIONS • 800-848-8738 • info@globalfinishing.com

WWW.GLOBALFINISHING.COM